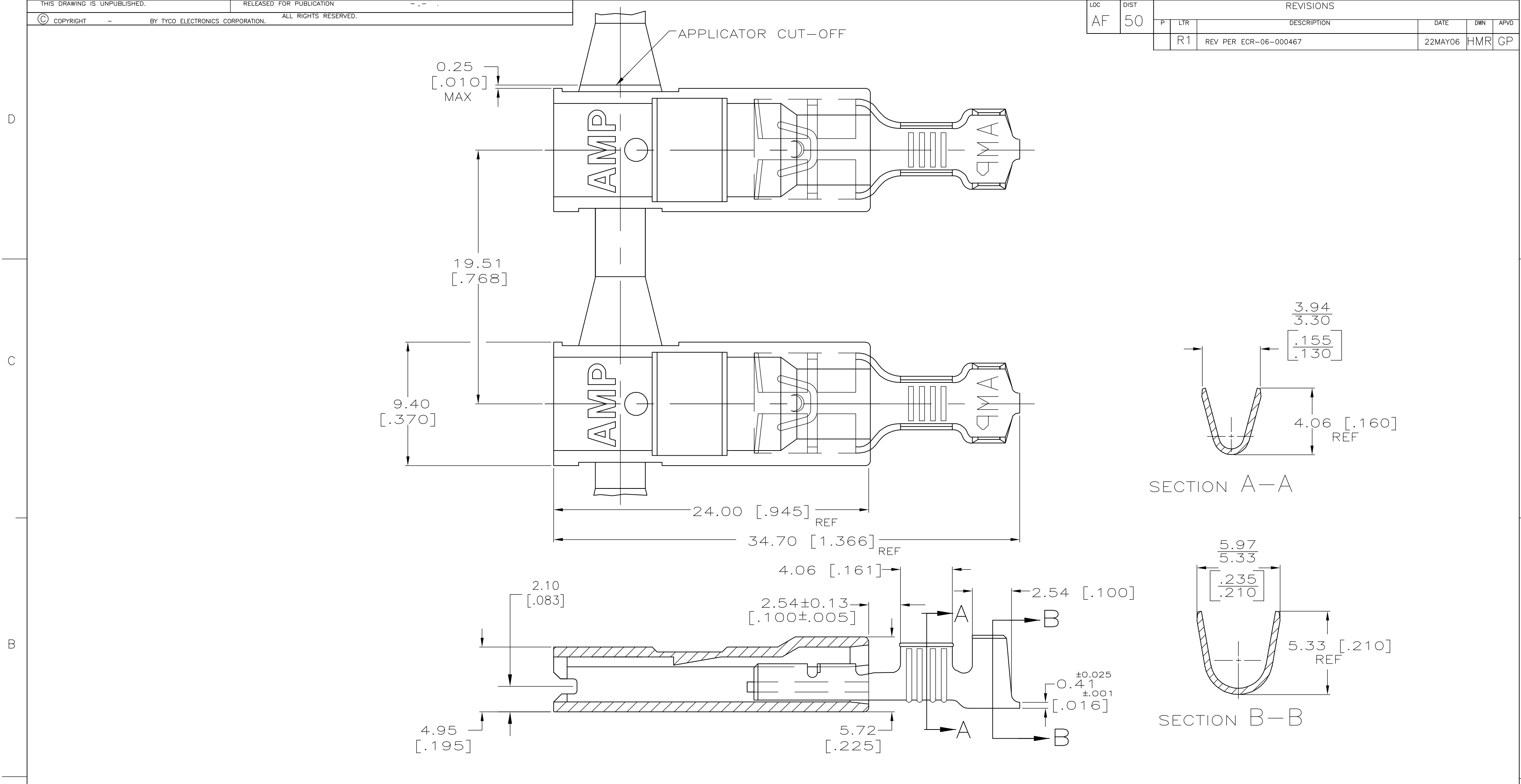


LOC	DIST	REVISIONS					
AF	50	P	LTR	DESCRIPTION	DATE	DWN	APVD
		R1		REV PER ECR-06-000467	22MAY06	HMR	GP



- 1 LOW-INSERTION FASTON TERMINALS, BASE P/N 63306, ARE USED IN THIS PRODUCT.
- 2 TIN PLATE PER .002032 [.000080] MIN PER MIL-T-10727.
- 3 MATERIAL: HOUSING 6/6 NYLON TERMINAL 4M HARD BRASS
- 4 FINISH: HOUSING - COLOR, NATURAL TERMINAL - SEE TABLE

OBSOLETE	BULK	2 TIN PLATE	2.79-4.32 [.110-.170] DIA	0.8-2.0 mm ² [18-14]	0.813 [.032]	MATING TAB THK ±0.025 [±.001]	PART NO.
	BULK	PLAIN					
	STANDARD	2 TIN PLATE					
	STANDARD	PLAIN					
PACKAGING	TERMINAL FINISH	INSULATION RANGE	WIRE SIZE	ASSEMBLY, ULTRA-POD, RECEPTACLE, 6.35 [.250] SERIES		5-520963-2 5-520963-1 520963-2 520963-1	
THIS DRAWING IS A CONTROLLED DOCUMENT.			DWN JR RUTH 6/27/89		Tyco Electronics Corporation Harrisburg, PA 17105-3608		
DIMENSIONS: mm [INCHES]			CHK MS FEHER 6/27/89		NAME R KUZO		
TOLERANCES UNLESS OTHERWISE SPECIFIED:			APVD R KUZO 6/27/89		PRODUCT SPEC 108-1285		
0 PLC ± -			APPLICATION SPEC 114-2124		SIZE A2 CAGE CODE 00779 DRAWING NO G-520963		
1 PLC ± -			MATERIAL 3		RESTRICTED TO -		
2 PLC ± -			FINISH 4		SCALE 5:1 SHEET 1 OF 1 REV R1		
3 PLC ± 0.25 [.010]			CUSTOMER DRAWING				
4 PLC ± -							
ANGLES ± -							
FINISH 4							